



Features

- SFP Multi-Source Agreement compliant
- Compliant with SONET/SDH Standard
- Compliant with Fast Ethernet standard
- Industry standard small form pluggable (SFP) package
- Duplex LC connector
- Differential LVPECL inputs and outputs
- Single power supply 3.3V
- TTL signal detect indicator
- Hot Pluggable
- Class 1 laser product complies with EN 60825-1
- RoHS Compliant

Absolute Maximum Ratings

Parameter	Symbol	Min.	Max.	Units	Note
Storage Temperature	T_S	-40	85	°C	
Supply Voltage	V_{CC}	-0.5	4.0	V	
Input Voltage	V_{IN}	-0.5	V_{CC}	V	
Output Current	I_o	---	50	mA	
Operating Current	I_{OP}	---	400	mA	

Recommended Operating Conditions

Parameter	Symbol	Min.	Max.	Units	Note
Case Operating Temperature	T_c	0	70	°C	
Supply Voltage	V_{CC}	3.1	3.5	V	
Supply Current	$I_{TX} + I_{RX}$	---	300	mA	

Transmitter Electro-optical Characteristics

Vcc = 3.1 V to 3.5 V, T_C = 0 °C to 70 °C

Parameter	Symbol	Min.	Typ.	Max.	Units	Note
Data Rate	B	50	155	200	Mb/s	
Output Optical Power 9/125 μm fiber	P _{out}	-4	---	+3	dBm	Average
Extinction Ratio	ER	10	---	---	dB	
Center Wavelength (OP6A-C31-27-C)	λ _C	1264.5	---	1277.5	nm	
Center Wavelength (OP6A-C31-29-C)	λ _C	1284.5	---	1297.5	nm	
Center Wavelength (OP6A-C31-31-C)	λ _C	1304.5	---	1317.5	nm	
Center Wavelength (OP6A-C31-33-C)	λ _C	1324.5	---	1337.5	nm	
Center Wavelength (OP6A-C31-35-C)	λ _C	1344.5	---	1357.5	nm	
Center Wavelength (OP6A-C31-37-C)	λ _C	1364.5	---	1377.5	nm	
Center Wavelength (OP6A-C31-39-C)	λ _C	1384.5	---	1397.5	nm	
Center Wavelength (OP6A-C31-41-C)	λ _C	1404.5	---	1417.5	nm	
Center Wavelength (OP6A-C31-43-C)	λ _C	1424.5	---	1437.5	nm	
Center Wavelength (OP6A-C31-45-C)	λ _C	1444.5	---	1457.5	nm	
Spectral Width (-20dB)	Δλ	---	---	1	nm	
Side Mode suppression Ratio	SMSR	30	--	--	dB	
Rise/Fall Time (10–90%)	T _{r, f}	---	1	2	ns	
Max P _{out} TX-DISABLE Asserted	P _{OFF}	---	---	-45	dBm	
Output Eye	Compliant with Telcordia GR-253-CORE Issue 3 and ITU-T recommendation G-957					
Differential Input Voltage	V _{DIFF}	0.4	---	2.0	V	

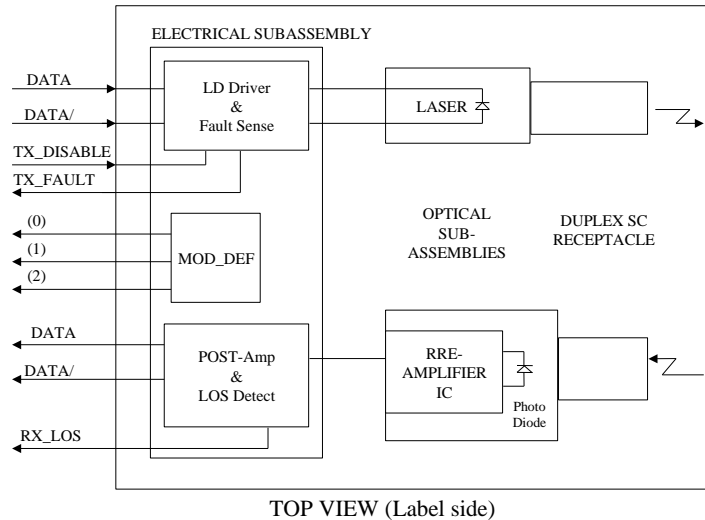
Receiver Electro-optical Characteristics

$V_{CC} = 3.1\text{ V to }3.5\text{ V}$, $T_C = 0\text{ }^\circ\text{C to }70\text{ }^\circ\text{C}$

Parameter	Symbol	Min.	Typ.	Max.	Units	Note
Data Rate	B	50	155	200	Mb/s	
Optical Input Power-maximum	P_{IN}	0	---	---	dBm	Note 1
Optical Input Power-minimum (Sensitivity)	P_{IN}	---	---	-35	dBm	Note 1
Operating Center Wavelength	λ_C	1260	---	1600	nm	
Data Output Rise, Fall Time (10%~90%)	$T_{r,f}$	---	1	2	ns	
Loss of Signal-Asserted	P_A	---	---	-35	dBm	
Loss of Signal-Deasserted	P_D	-45	---	---	dBm	
Loss of Signal-Hysteresis	$P_A - P_D$	1.0	---	---	dB	
Differential Output Voltage	V_{DIFF}	0.5	---	1.2	V	
Receiver Loss of Signal Output Voltage-Low	RX_LOS_L	0	---	0.5	V	
Receiver Loss of Signal Output Voltage-High	RX_LOS_H	2.4	---	V_{CC}	V	

Note 1: The input data is at 155.52 Mbps, $2^{23}-1$ PRBS data pattern. The receiver is guaranteed to provide output data with Bit Error Rate (BER) better than or equal to 1×10^{-10} .

Block Diagram of Transceiver



Transmitter Section

The transmitter section consists of a 1310 nm InGaAsP laser in an eye safe optical subassembly (OSA) which mates to the fiber cable. The laser OSA is driven by a LD driver IC which converts differential input LVPECL logic signals into an analog laser driving current.

TX_DISABLE

The TX_DISABLE signal is high (TTL logic “1”) to turn off the laser output. The laser will turn on when TX_DISABLE is low (TTL logic “0”).

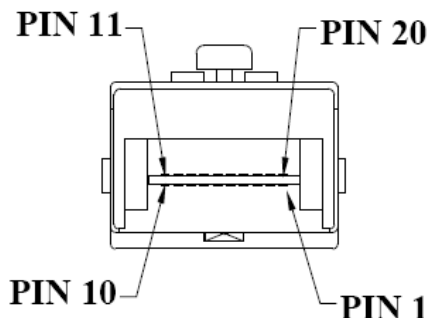
Receiver Section

The receiver utilizes an InGaAs PIN photodiode mounted together with a trans-impedance preamplifier IC in an OSA. This OSA is connected to a circuit providing post-amplification quantization, and optical signal detection.

Receive Loss (RX_LOS)

The RX_LOS is high (logic “1”) when there is no incoming light from the companion transceiver. This signal is normally used by the system for the diagnostic purpose. The signal is operated in TTL level.

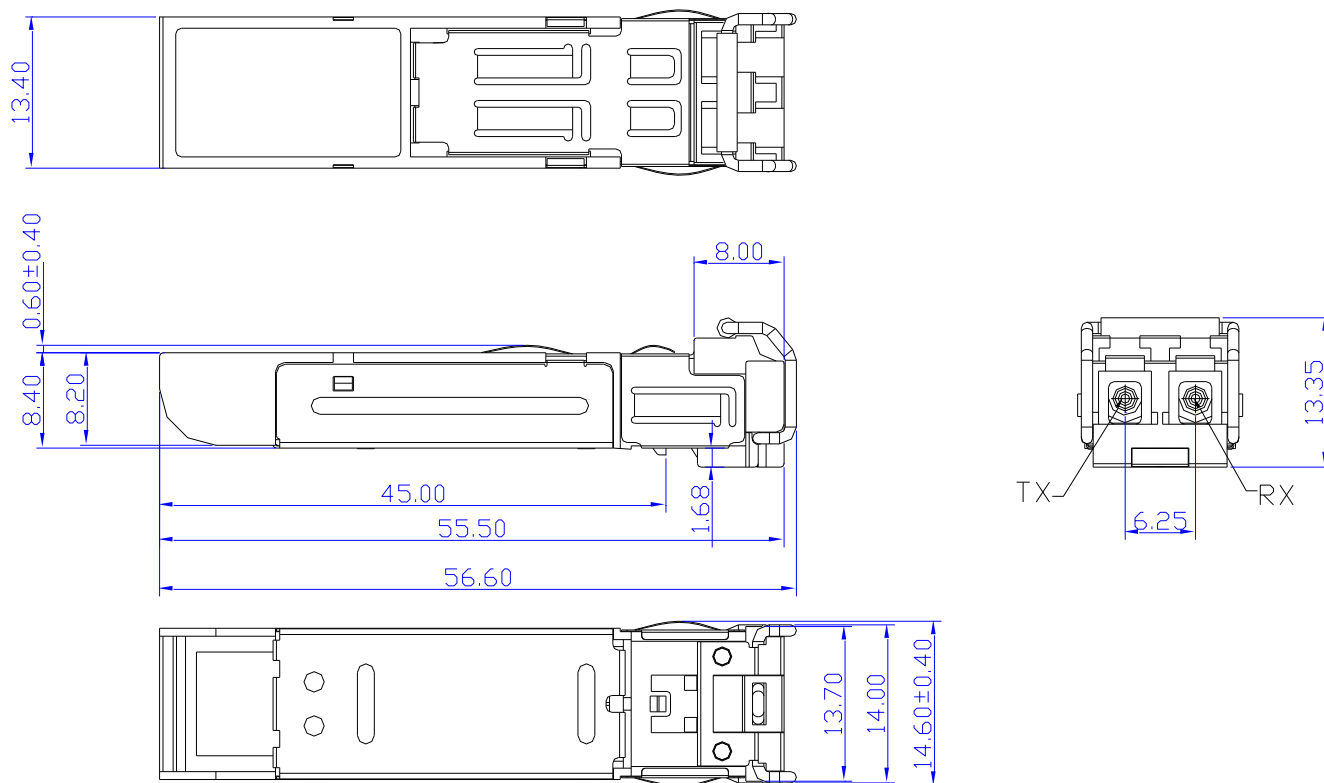
Pin Assignment



Pin Descriptions

Pin	Signal Name	Description
1	T _{GND}	Transmitter Ground
2	TX_FAULT	Transmit Fault
3	TX_DISABLE	Transmit Disable
4	MOD_DEF(2)	SDA Serial Data Signal
5	MOD_DEF(1)	SCL Serial Clock Signal
6	MOD_DEF(0)	TTL Low
7	RATE SELECT	Open Circuit
8	RX_LOS	Receiver Loss of Signal, TTL High, Open collector
9	R _{GND}	Receiver Ground
10	R _{GND}	Receiver Ground
11	R _{GND}	Receiver Ground
12	RX-	Receive Data Bar, Differential PECL, ac coupled
13	RX+	Receive Data, Differential PECL, ac coupled
14	R _{GND}	Receiver Ground
15	V _{CCR}	Receiver Power Supply
16	V _{CCT}	Transmitter Power Supply
17	T _{GND}	Transmitter Ground
18	TX+	Transmit Data, Differential PCEL, ac coupled
19	TX-	Transmit Data Bar, Differential PCEL, ac coupled
20	T _{GND}	Transmitter Ground

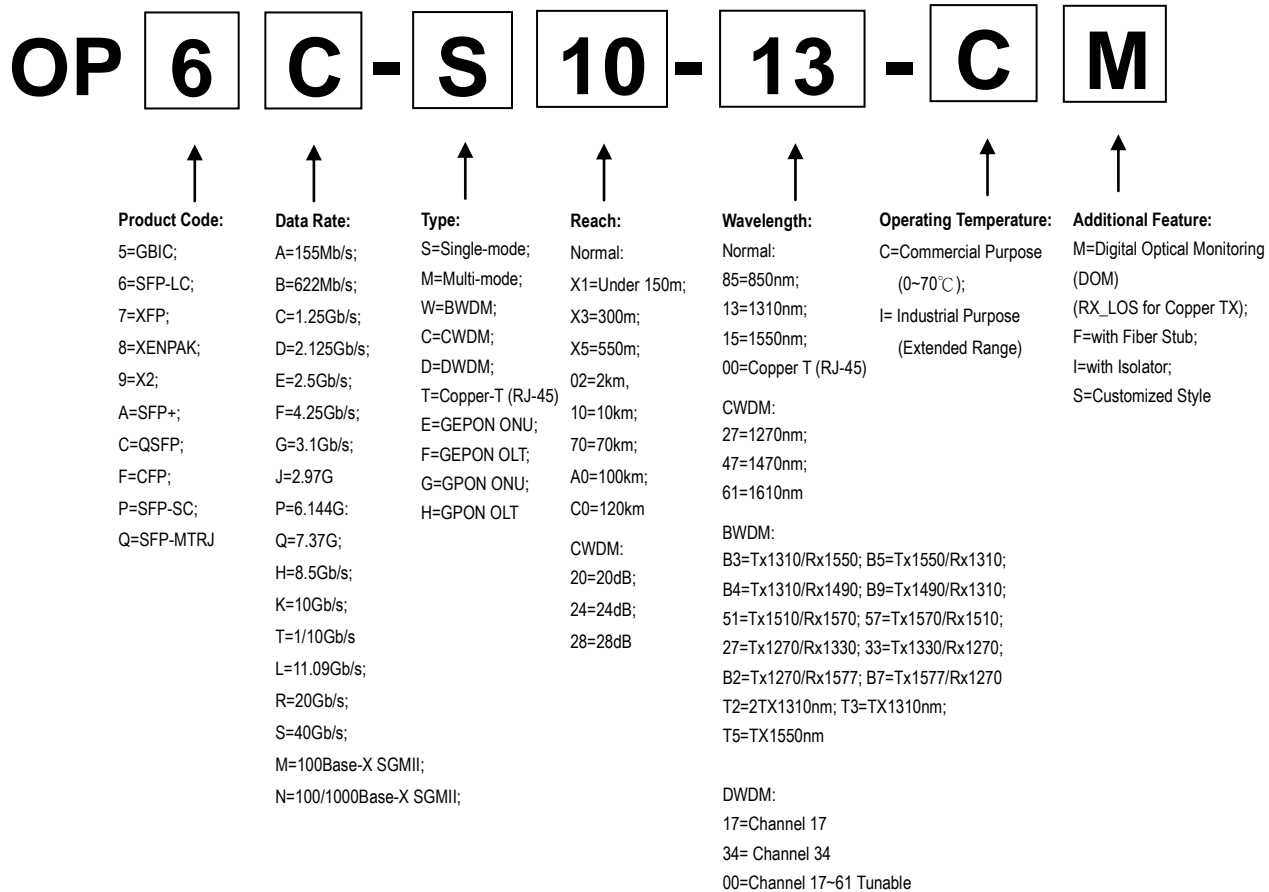
Dimensions



DIMENSIONS ARE IN MILLIMETERS

ALL DIMENSIONS ARE ± 0.2mm UNLESS OTHERWISE SPECIFIED

Ordering Information



Model Number	Part Number	Input/Output	Signal Detect	Voltage	Temperature
SFP-155CWDM-31-yy	OP6A-C31-yy-C	AC/AC	TTL	3.3V	0°C to 70°C

Note: yy=27, Center Wavelength=1270nm ,yy=29, Center Wavelength=1290nm
 yy=31, Center Wavelength=1310nm ,yy=33, Center Wavelength=1330nm
 yy=35, Center Wavelength=1350nm ,yy=37, Center Wavelength=1370nm
 yy=39, Center Wavelength=1390nm ,yy=41, Center Wavelength=1410nm
 yy=43, Center Wavelength=1430nm ,yy=45, Center Wavelength=1450nm

Note: All information contained in this document is subject to change without notice.