



### Features

- SFP Multi-Source Agreement compliant
- Compliant with SONET/SDH standard
- Compliant with Fast Ethernet standard
- Compliant with IEEE802.3ah 100Base-BX
- Compliant with ITU0-T G.985 Class S
- Industry standard small form pluggable (SFP) package
- Simplex LC connector
- Differential LVPECL inputs and outputs
- Single power supply 3.3V
- TTL signal detect indicator
- Hot Pluggable
- Class 1 laser product complies with EN 60825-1
- RoHS Compliant

### Absolute Maximum Ratings

Parameter	Symbol	Min.	Max.	Units	Note
Storage Temperature	$T_S$	-40	85	°C	
Supply Voltage	$V_{CC}$	-0.5	4.0	V	
Input Voltage	$V_{IN}$	-0.5	$V_{CC}$	V	
Output Current	$I_o$	---	50	mA	
Operating Current	$I_{OP}$	---	400	mA	

### Recommended Operating Conditions

Parameter	Symbol	Min.	Max.	Units	Note
Case Operating Temperature	$T_C$	0	70	°C	OP6A-W30-B5-C
		-40	85	°C	OP6A-W30-B5-I
Supply Voltage	$V_{CC}$	3.1	3.5	V	
Supply Current	$I_{TX} + I_{RX}$	---	200	mA	

### Transmitter Electro-optical Characteristics

V<sub>CC</sub> = 3.1 V to 3.5 V, T<sub>C</sub> = 0 °C to 70 °C (-40 °C to 85 °C)

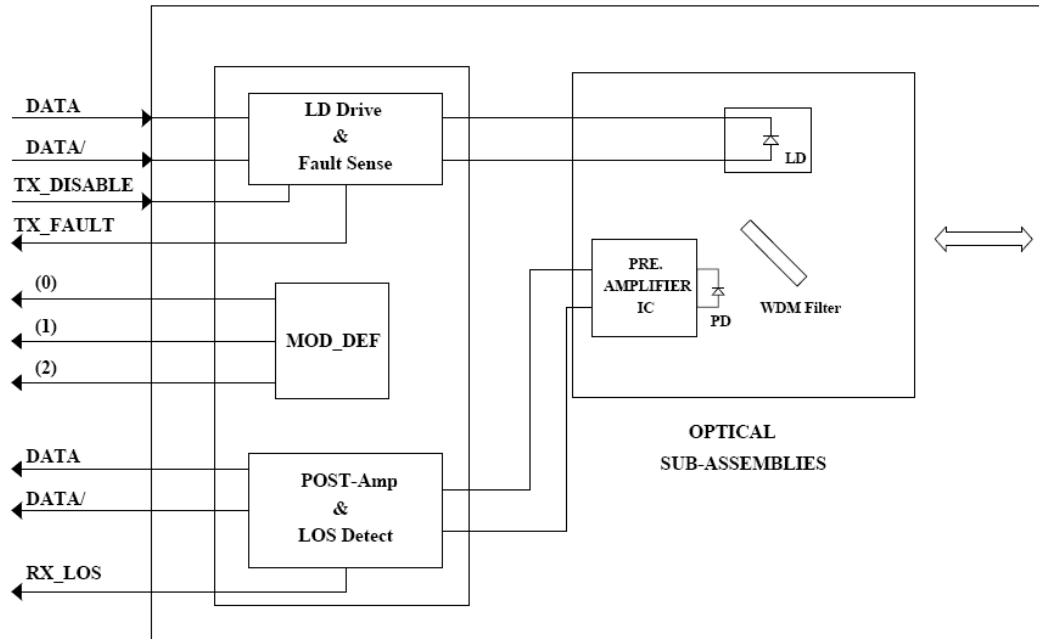
Parameter	Symbol	Min.	Typ.	Max.	Units	Note
Output Optical Power 9/125 μm fiber	$P_{out}$	-9	---	-3	dBm	Average
Extinction Ratio	$ER$	8.2	---	---	dB	
Center Wavelength	$\lambda_C$	1480	1520	1580	nm	
Spectral Width (RMS)	$\lambda$	---	---	3	nm	
Rise/Fall Time (10–90%)	$T_{r, f}$	---	1	2	ns	
Output Eye	Compliant with Telcordia GR-253-CORE Issue 3 and ITU-T recommendation G-957					
Max $P_{out}$ TX-DISABLE Asserted	$P_{OFF}$	---	---	-45	dBm	
Differential Input Voltage	$V_{DIFF}$	0.4	---	2.0	V	

### Receiver Electro-optical Characteristics

$V_{CC} = 3.1 \text{ V to } 3.5 \text{ V}$ ,  $T_c = 0^\circ \text{C to } 70^\circ \text{C}$  ( $-40^\circ \text{C to } 85^\circ \text{C}$ )

Parameter	Symbol	Min.	Typ.	Max.	Units	Note
Optical Input Power-maximum	$P_{IN}$	0	---	---	dBm	BER < $10^{-10}$
Optical Input Power-minimum (Sensitivity)	$P_{IN}$	---	---	-32	dBm	BER < $10^{-10}$
Operating Center Wavelength	$\lambda_C$	1260	---	1360	nm	
Optical Return Loss	ORL	14	---	---	dB	$\lambda=1260\sim 1360\text{nm}$
Optical isolation	ISO	---	---	-40	dB	
Loss of signal-Asserted	$P_A$	---	---	-32	dBm	
Loss of signal-Deasserted	$P_D$	-45	---	---	dBm	
Differential Output Voltage	$V_{DIFF}$	0.5	---	1.6	V	
Data Output Rise, Fall Time (10%-90%)	$T_{r, f}$	---	1	2	ns	
Receiver Loss of Signal Output Voltage-Low	$RX\_LOS_L$	0	---	0.5	V	
Receiver Loss of Signal Output Voltage-High	$RX\_LOS_H$	2.4	---	$V_{CC}$	V	

## Block Diagram of Transceiver



### Transmitter and Receiver Optical Sub-assembly Section

A 1550 nm InGaAsP laser and an InGaAs PIN photodiode integrate with a WDM filter to form a bi-directional single fiber optical subassembly (OSA). The laser of OSA is driven by a LD driver IC which converts differential input LVPECL logic signals into an analog laser driving current. And, The photodiode of OSA is connected to a circuit providing post-amplification quantization, and optical signal detection.

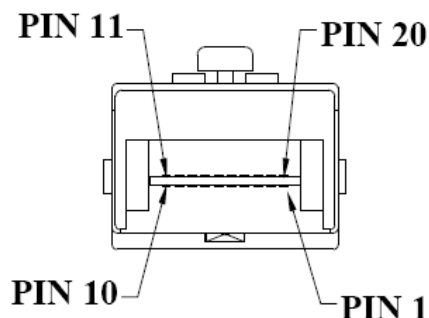
#### TX\_DISABLE

The TX\_DISABLE signal is high (TTL logic "1") to turn off the laser output.

#### Receive Loss (RX\_LOS)

The RX\_LOS is high (logic "1") when there is no incoming light from the companion transceiver. This signal is normally used by the system for the diagnostic purpose. The signal is operated in TTL level.

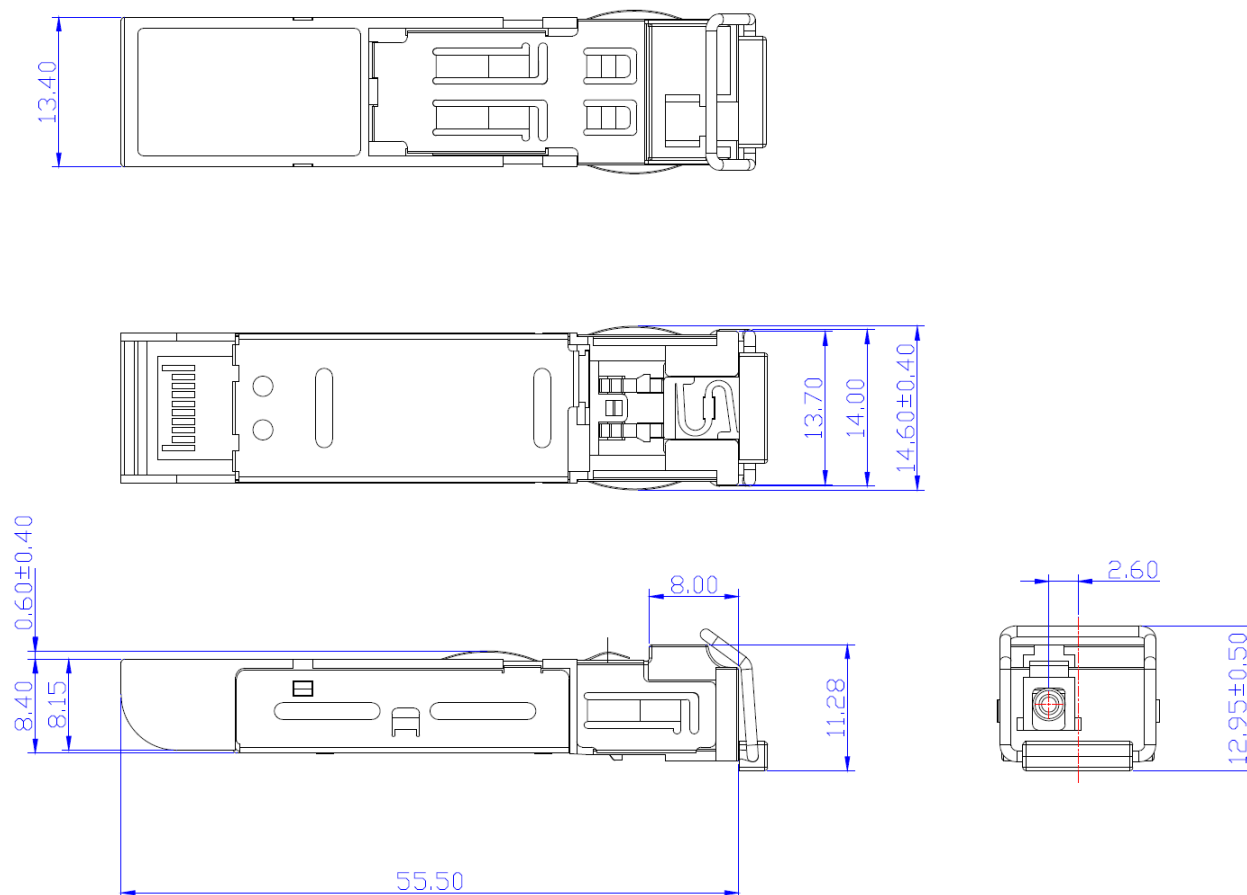
## Pin Assignment



## Pin Descriptions

Pin	Signal Name	Description
1	T <sub>GND</sub>	Transmitter Ground
2	TX_FAULT	Transmit Fault
3	TX_DISABLE	Transmit Disable
4	MOD_DEF(2)	SDA Serial Data Signal
5	MOD_DEF(1)	SCL Serial Clock Signal
6	MOD_DEF(0)	TTL Low
7	RATE SELECT	Open Circuit
8	RX_LOS	Receiver Loss of Signal, TTL High, Open collector
9	R <sub>GND</sub>	Receiver Ground
10	R <sub>GND</sub>	Receiver Ground
11	R <sub>GND</sub>	Receiver Ground
12	RX-	Receive Data Bar, Differential PECL, ac coupled
13	RX+	Receive Data, Differential PECL, ac coupled
14	R <sub>GND</sub>	Receiver Ground
15	V <sub>CCR</sub>	Receiver Power Supply
16	V <sub>CCT</sub>	Transmitter Power Supply
17	T <sub>GND</sub>	Transmitter Ground
18	TX+	Transmit Data, Differential PECL, ac coupled
19	TX-	Transmit Data Bar, Differential PECL, ac coupled
20	T <sub>GND</sub>	Transmitter Ground

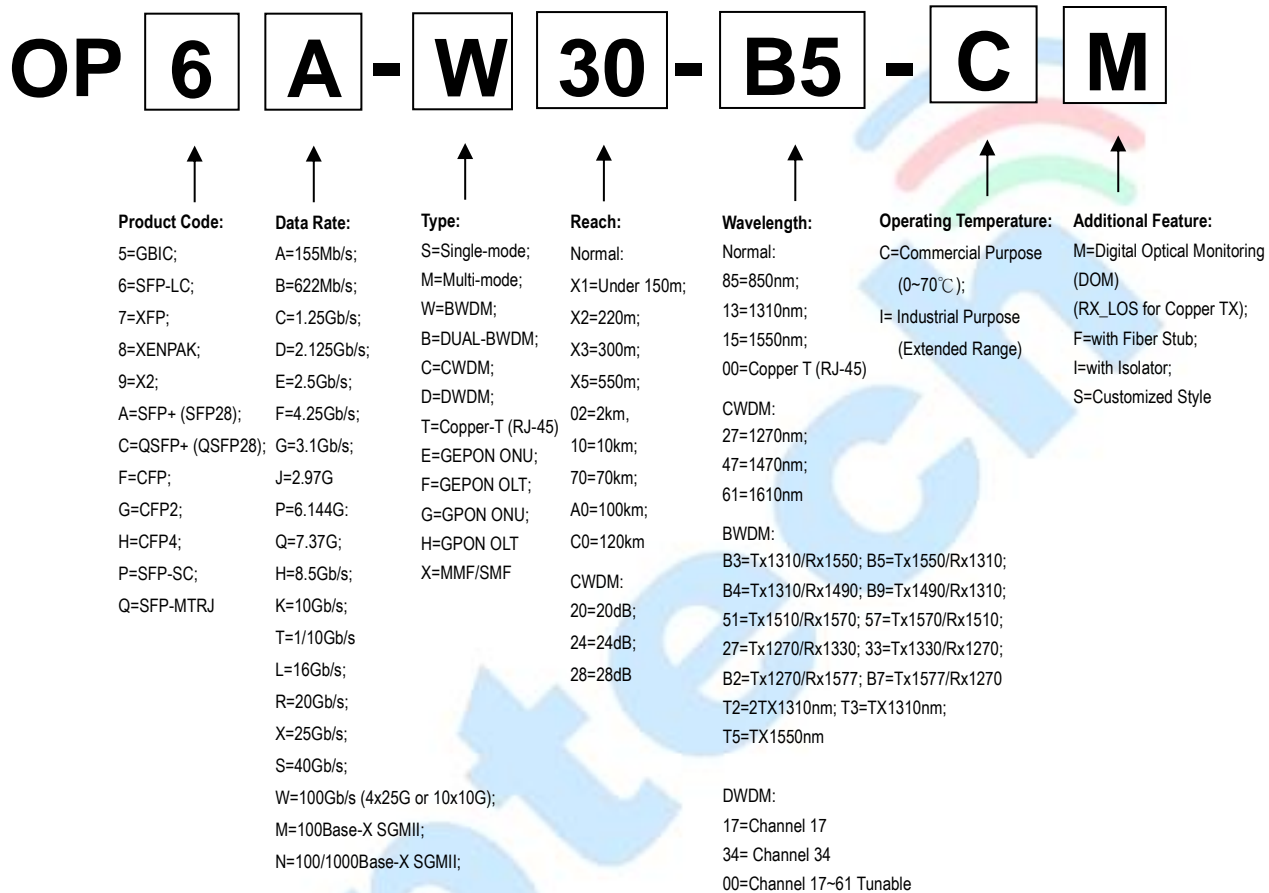
**Dimensions**



**DIMENSIONS ARE IN MILLIMETERS**

**ALL DIMENSIONS ARE ±0.2mm UNLESS OTHERWISE SPECIFIED**

Ordering Information



Model Number	Part Number	Reach	TX/RX	Input/Out	Signal Detect	Temperature	LD Type
SFP-155BWDM30-55	OP6A-W30-B5-C	30km	1550/1310	AC/AC	TTL	0°C to 70 °C	1550 FP
SFP-155BWDM30-55-I	OP6A-W30-B5-I	30km	1550/1310	AC/AC	TTL	-40°C to 85 °C	1550 FP

Note: All information contained in this document is subject to change without notice.