

Features

- Bellcore Compliant
- Durability (well over 100mw)
- Wavelength Independent (DWDM)
- Simple and Reliable Structure


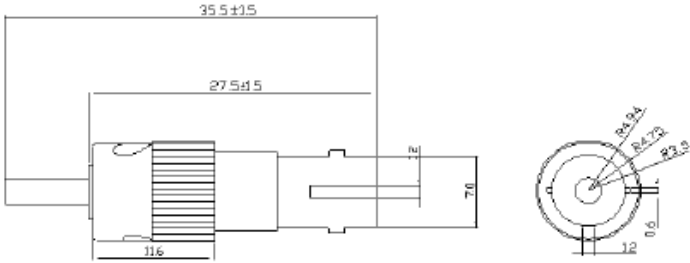

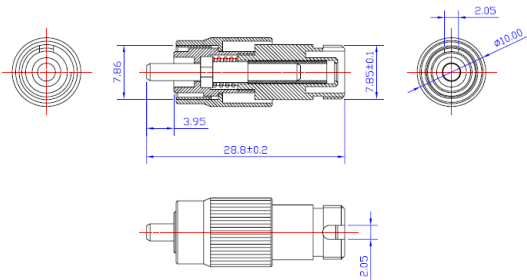

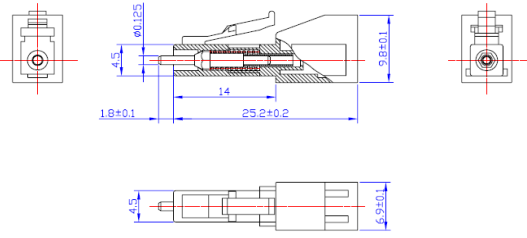

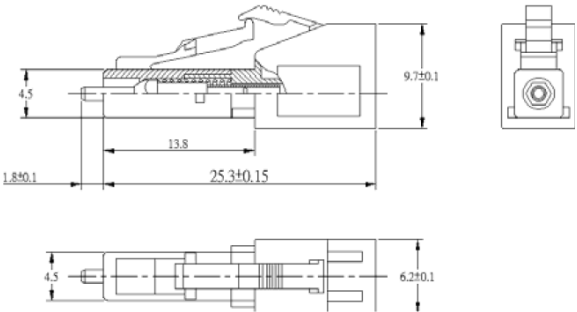
Applications


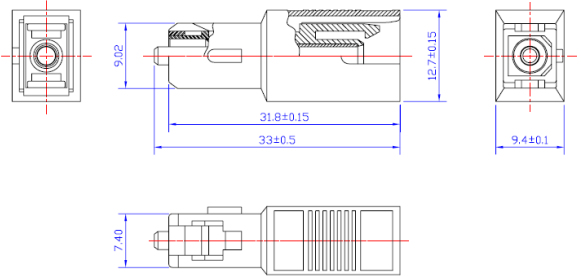
- Telecommunication Networks
- Data Networks
- Video & CATV

Specification

Operating Wavelength	SM: 1200-1600nm or 1310nm, 1550nm
	MM: 850nm, 1300nm
Attenuator Range	1-30dB
Return Loss	≥50 dB (UPC)
	≥60 dB (APC)
Attenuation Accuracy	+/-0.5 (1-5) dB
	+/-10% (6-30) dB
Polarization Dependent Loss	≤ 0.2dB
Maximum Optical Input Power	200mW
Operating Temp. Range	-40 ~ 80°C (0.6 dB change between -40~80°C).

Dimension

<p>ST</p>		
<p>FC</p>		
<p>LC (6.9mm)</p>		
<p>LC (6.2mm)</p>		

<p>SC</p>		
<p>MU</p>	