

Features

- Ultra-compact size (79*23*18mm) and ultra-light weight (57 g)
- 10/100/1000Base-T to 1000Base-X
- SFP slot for flexible long-distance transmission
- USB powered for easy portability or used with the included power adaptor
- Auto-negotiation
- Auto-MDI/MDIX
- Plug-and-Play
- Lower jitter
- Lower latency
- Ultra-low power dissipation < 1.2W
- Support Jumbo frame 10Kbytes
- Support watchdog, automatically reboot if frozen
- Operation temperature: -20°C~70°C



Specifications

Port's interface

Fixed Port	1*1000 Base-X SFP, 1*10/100/1000 Base - T
Power Interface	DC/AC jack

LED indicators

Green LED	link/act indicator
Yellow LED	1000M link indicator

Cable Type & Transmission Distance

Twisted-pair	0-100m (CAT5e,CAT6)
SFP slot	Depending on the SFP module

Electrical & Layer 2 Specifications

Input voltage	DC/AC 5V
Total Power consumption	Full load≤1.2W
MDX/MIDX	Support
Jumbo Frame	Support 10Kbytes
Watchdog	Support

Environment

Operating temperature	-20℃~70℃
Storage temperature	-40℃~85℃
Relative humidity	5%~95% (non-condensing)
Thermal methods	Fan-less, natural cooling
MTBF	100,000 hours

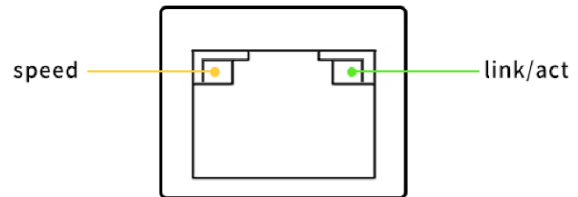
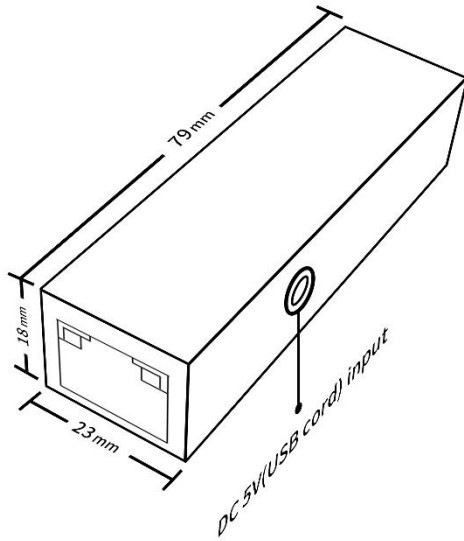
Protection & Certification

Surge protection of Ethernet port	IEC 61000-4-5 Level 3 (2KV) (10/700us)
ESD	IEC 61000-4-2 Level 4 (8K/15K)
Free fall	0.5m
Certification	CE/FCC/RoHS

Mechanical Dimensions

Product size	79*23*18mm
Installation Method	desktop
Weight	57 g

Dimensions



Order Information

<i>Part Number</i>	<i>Description</i>
OPAB-X00-AA-CU-L1	10/100/1000Base-T to 1000Base-X mini media converter, USA power without SFP
OPAB-X00-AA-CE-L1	10/100/1000Base-T to 1000Base-X mini media converter, Europe power without SFP

Modification History

<i>Revision</i>	<i>Date</i>	<i>Description</i>
A1	June. 2021	Initial Release

Note: All information contained in this document is subject to change without notice.