



**(Available modules)**



**(19 "case packaging.)**



**(19 "Rack Mount with LGX Box.)**

### Features

- Low Insertion Loss
- High Isolation
- Low PDL
- Compact Design
- Good channel-to-channel uniformity
- Wide Operating Wavelength: from 1460nm to 1620nm
- Wide Operating Temperature: from -5 to 75°C
- High Reliability and Stability
- RoHS Compliant

### Applications

- DWDM System
- PON Networks
- CATV Links

### Compliance

- Telcordia GR-1209-CORE-2001
- Telcordia GR-1221-CORE-1999
- ITU-T G.694.1

**Specifications**

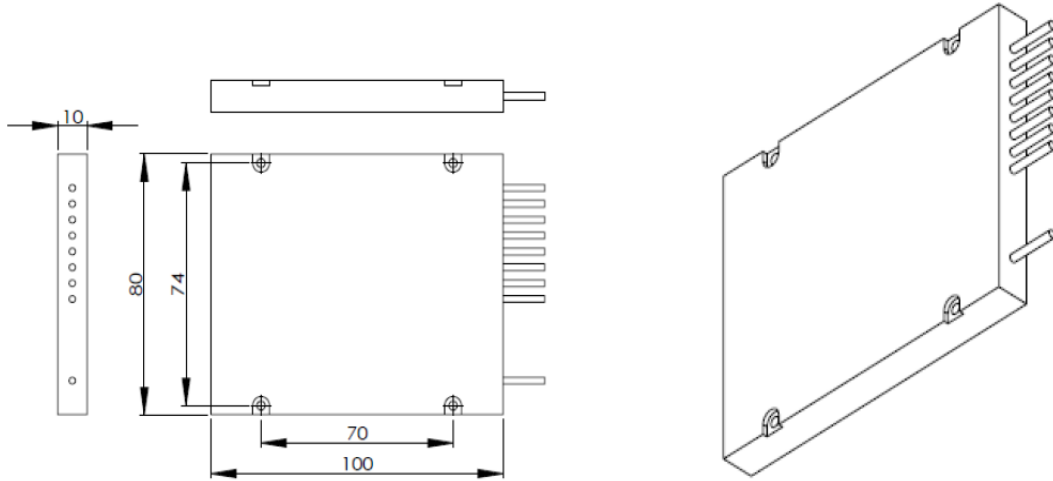
**1xN DWDM Mux/Demux Module**

Parameters							
Channel Space (GHz)		100			200		
Channel Number		1*4	1*8	1*16	1*4	1*8	1*16
Center Wavelength (nm)		ITU Grid					
Center Wavelength Accuracy (nm)		± 0.05			± 0.1		
Channel Passband (@-0.5dB) (nm)		0.22			0.5		
Fiber Type		SMF-28e with 900um loose tube or customer specified					
IL (dB)		1.8	3.0	4.0	1.7	2.9	3.8
Passband Ripple (dB)		0.35	0.4	0.5	0.35	0.4	0.5
Isolation (dB)	Adjacent Channel	25			28		
	Non-Adjacent Channel	40					
PDL (dB)		0.2					
PMD (ps)		0.1					
RL (dB)		45					
Directivity (dB)		50					
Maximum Optical Power (mw)		300					
Operating Temperature (°C)		-40~85					
Storage Temperature (°C)		-40~85					
BOX Package (mm)		100*80*10 or 140*115*18					
LGX Package		1U,2U					
19" Rack mount Package		1U					

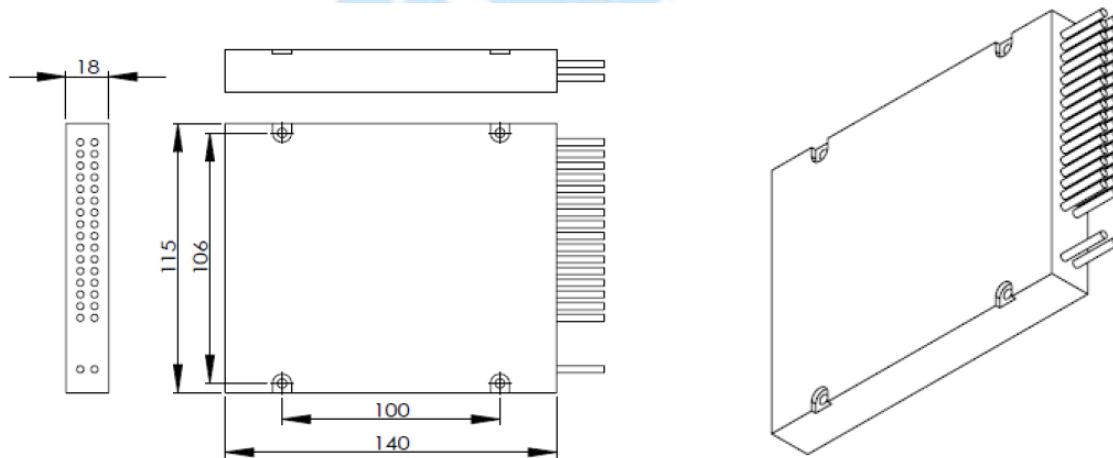
Notes:

1. Specified without connectors.
2. Add an additional 0.2dB loss per connector.

**Dimensions (DWDM Mux/Demux Module)**



**100 x 80 x 10**



**140 x 115 x 18**

Ordering Information

OP	0	8	X	x	XX	XX	XX	XX	X	X
	↑	↑	↑	↑	↑	↑	↑	↑	↑	↑
	Port Configuration	WDM type	Module Type	Initial Wavelength	Package Type	Fiber Type	Output fiber length	Input	Output	
	01=1*1	X=100G DWDM	M=Mux	21=21CH	PS=100x80x10,	09=900 μm	10=1.0m	0=None	0=None	
	02=1*2	Y=200G DWDM	D=Demux	.....	PM=120x80x18,	loose tube	12=1.2m	1=FC/UPC	1=FC/UPC	
	.....		1=Mux&1310nm Port	49=49CH	PL=140x115x18	20=2.0 mm	15=1.5m	2=FC/APC	2=FC/APC	
	16=1*16		2=Demux&1310nm port		LX=LG box,metal	loose tube	XX=Customized	3=SC/UPC	3=SC/UPC	
			3=Mux&Upgrade		19=19' 1U Rack-Mount	30=3.0 mm		4=SC/APC	4=SC/APC	
			4=Demux&Urgrade		XX=Customized	loose tube		5=LC/UPC	5=LC/UPC	
			5=Mux&1310nm port&Urgrade					6=LC/APC	6=LC/APC	
			6=Demux&1310nm port&Urgrade					X=Customized	X=Customized	
			7=Mux&1310nm port&Monitor					ed		
			8=Demux&1310nm port&Monitor							

Note: All information contained in this document is subject to change without notice.